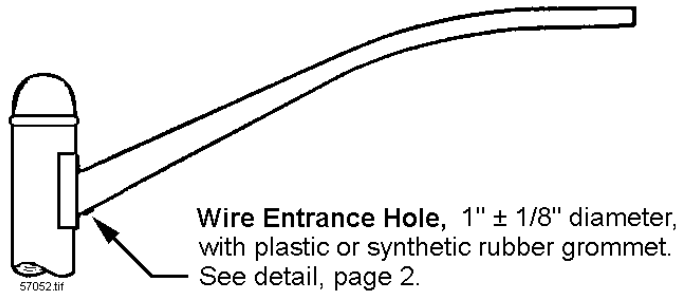


MATERIAL STANDARD

BRACKET, ALUMINUM LUMINAIRE SUPPORT FOR METAL POLES



Luminaire Support Brackets for mounting on metal or fiberglass streetlight poles are intended for use with luminaires weighing a maximum of 76 pounds. The support brackets shall meet the applicable requirements of ANSI C136.13 except as modified herein.

The support brackets shall be made of high-strength aluminum alloy capable of withstanding the load requirements of Sections 12 and 13 of ANSI C136.13. The brackets shall be seamless, tapered tubes having an elliptical shape in the vertical plane at the pole end, and terminating in a 2-inch round section having a minimum length of 7 inches at the luminaire attachment end. Spot welded construction is not acceptable. For pole plate details, see page 2 of this standard.

The brackets shall be resistant to the corrosive and erosive action of normally prevailing atmospheric conditions in industrial and seaboard areas.

A one-inch diameter \pm 1/8-inch, **wire entrance hole** shall be drilled on the bottom side of the bracket near the base. The hole edge shall be provided with a plastic or synthetic rubber grommet. For wire entrance hole details, see page 2 of this standard.

Stainless steel bolts and nuts shall be 1/2 - 13NC, Class 2A and 2B in accordance with USA Standard B 1.1. Stainless steel may be AISI Types 304 or 305. Lock washers shall be AISI Type 302 stainless steel in accordance with USA B27.1.

Marking. The brackets shall be permanently marked with the manufacturer's name or trademark.

Packaging. The brackets shall be packaged in accordance with the manufacturer's commercial practice to ensure safe delivery without damage.

Reference Specifications: ANSI C136.13; USA B 1.1, B 27.1;

AISI 304 and 305, latest revisions.

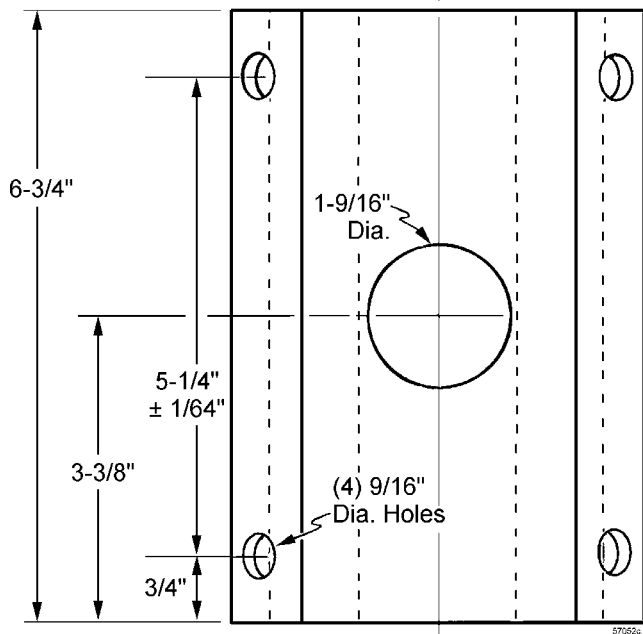
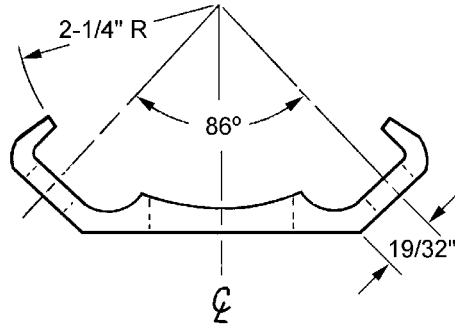
Stock Unit: EA

ORIGINATOR	STANDARDS COORDINATOR	STANDARDS SUPERVISOR	UNIT DIRECTOR
<i>Jim S. Horn</i>	<i>Charles L. Shaffer</i>	<i>John C. Schinner</i>	<i>Harold J. J.</i>

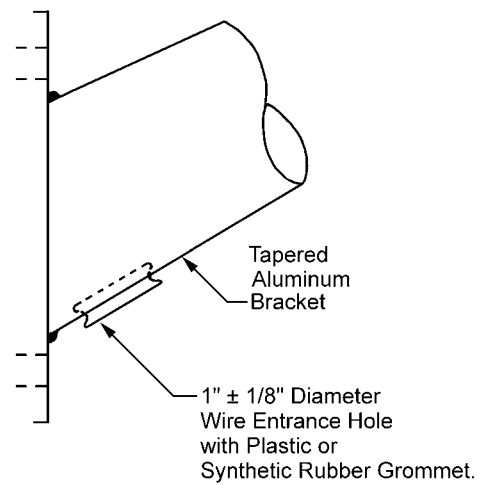
MATERIAL STANDARD

BRACKET, ALUMINUM LUMINAIRE SUPPORT

Pole Plate Details



Wire Entrance Hole Details



Stock Number	Bracket		Approved Manufacturers	
	Length, Feet	Rise, Inches	HAPCO	Valmont/Lexington Standard
570525	4	30	62802	570525
570526	6	30	62803	570526
570527	8	30	62804	570527
570528	10	30	63884	570528