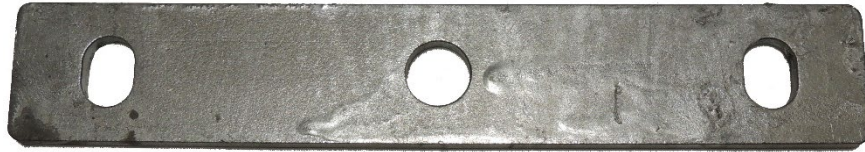


Surge Arrester/Cable Termination Mounting Adapters



1. Scope

This standard covers the requirements for surge arrester/cable termination mounting adapters.

This standard applies to Seattle City Light (SCL) Stock No. 720638.

2. Application

Adapters are used on wing arm termination pole tops. The adapter is used in conjunction with a cutout crossarm bracket to allow for support of both a surge arrester and a cable termination.

3. Industry Standards

Adapters shall meet the applicable requirements of the latest revision of the following industry standards:

ASTM A153; Standard Specification for Zinc Coating (Hot-Dip) on Iron and Steel Hardware

4. Requirements

Adapters shall be made with 1/4-inch cold rolled plate steel.

Adapters shall be hot-dipped galvanized per ASTM A153.

Adapter corners shall be rounded.

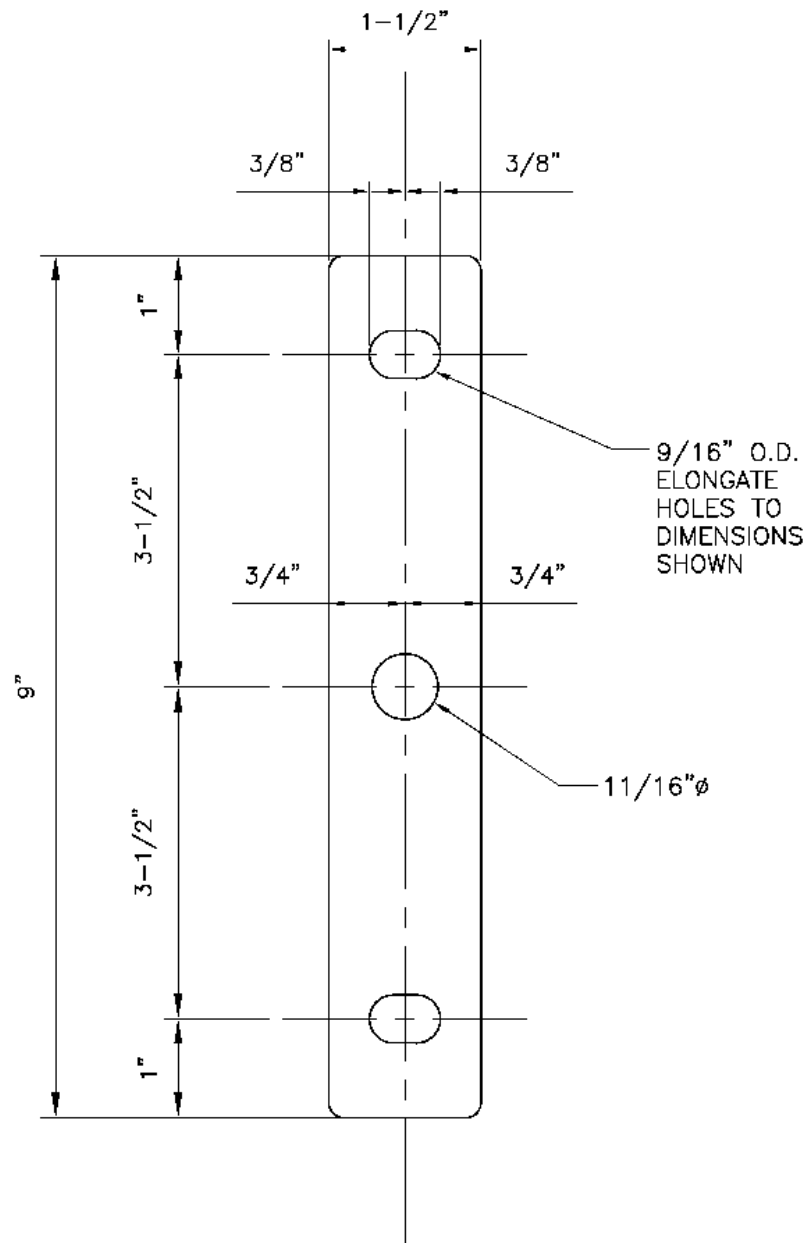
Adapters shall have the dimensions specified in Figure 4.

Handwritten signature of Curtis Lu in black ink.

Handwritten signature of John Shipek in black ink.

Handwritten signature of Andrew Strong in black ink.

Figure 4. Surge Arrester/Cable Termination Mounting Adapter Dimensions



5. Packaging

Adapters shall be packaged to prevent damage during shipping, handling, and storage.

Individual packages shall be legibly marked with:

- Manufacturer name
- Manufacturer part number
- Product description
- Quantity
- SCL stock number

Shipping containers shall be legibly marked with:

- SCL purchase order number
-

6. Issuance

Stock Unit: EA

7. Approved Manufacturers

Manufacturer	Catalog No.
Standard Steel Fabricating Co.	SCL 720638

8. Sources

Lu, Curtis; SCL Standards Engineer and originator of 5633.17

SCL Drawing A-4759; Arrester & Pothead Adaptor Bracket; January 8, 1968

SCL Stock Catalog page 56-5; June 20, 2017