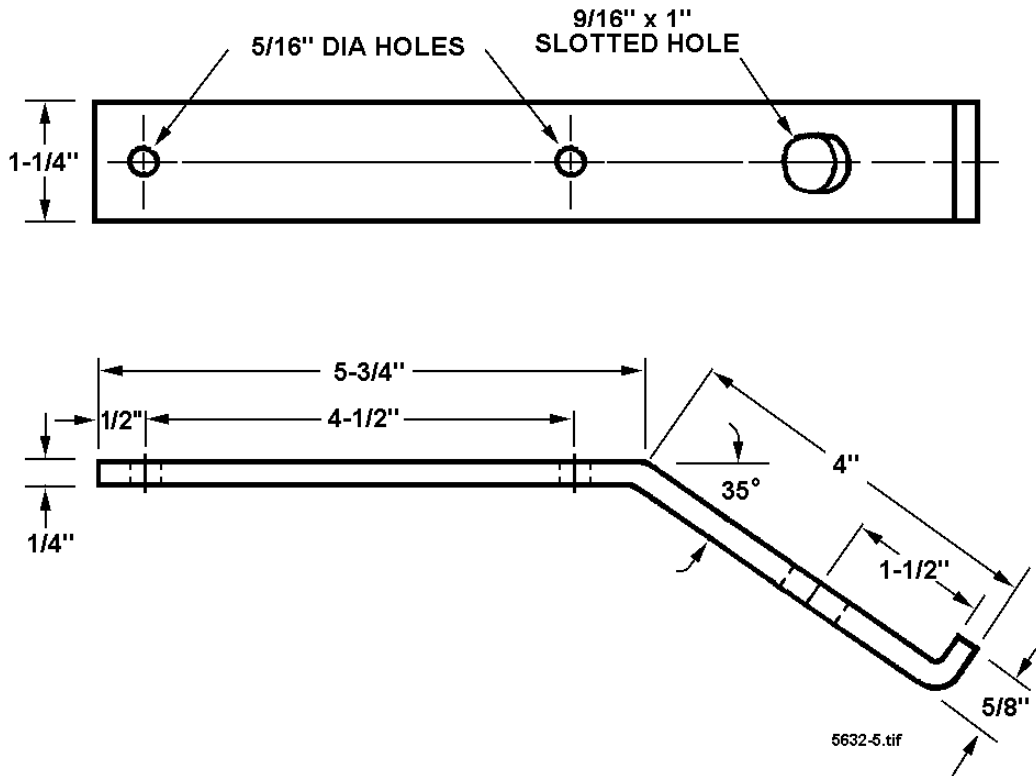


Bracket, Number Board Mounting



NUMBER BOARD MOUNTING BRACKETS are used for mounting number boards on wood poles that have switches on them. The brackets shall be made of hot-rolled bar steel conforming to ASTM Specification A569.

The brackets shall be galvanized, after fabrication, in accordance with ASTM Specification A153.

Reference Specifications: ASTM A569, A153 latest revisions.

Stock Unit: EA

Stock Number: 563225

Approved Manufacturer: Standard Steel Fabricating Co.