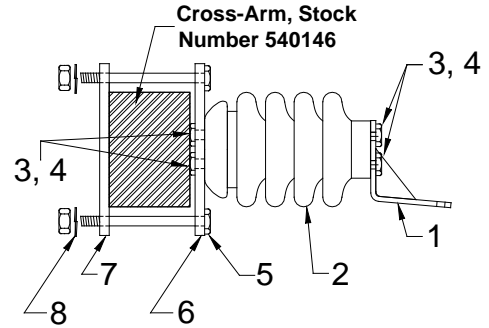
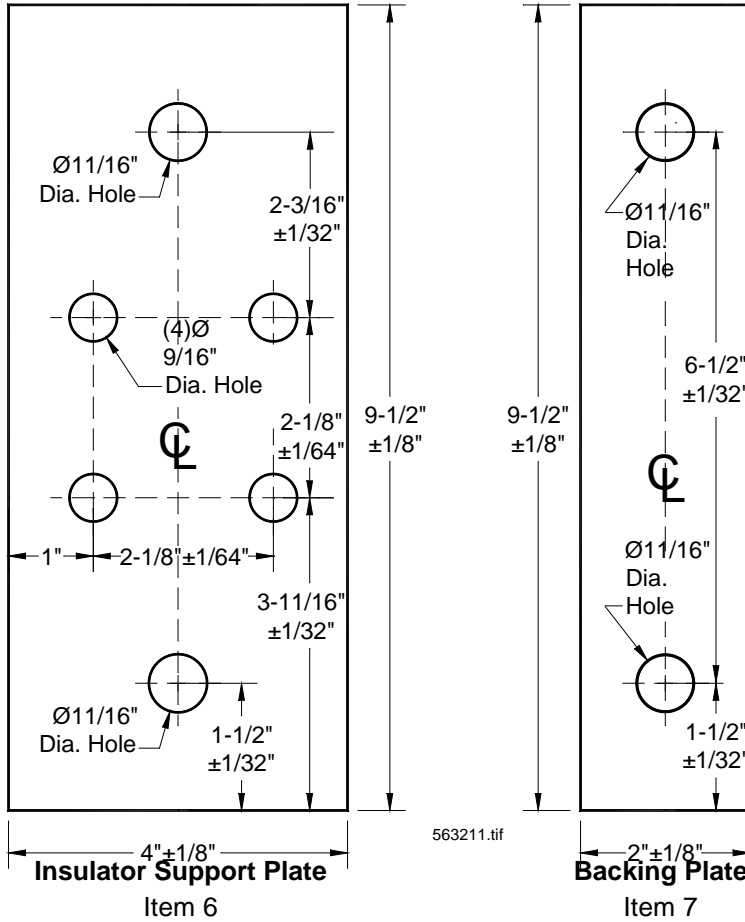


**BRACKET ASSEMBLY
CROSSARM MOUNTED CUTOUT FOR CONTAMINATED AREAS**



Note: Bracket is intended to secure station insulator (Stock No. 690187) to a 10 foot, 6 pin crossarm (Stock No. 540146).

Insulator Support Bracket Stock No.: 563228

Material: 1/4" mild steel plate

Surface preparation: Hot dip galvanized per ASTM A153

Material List

Item	Qty	Description	Stock No.
1	1	Bracket, Cutout Mounting, Material. Standard 5632.2	563224
2	1	Insulator, Station Post	690187
3	8	Screw, Hex Head Cap, 1/2" - 13NC x 1"	784825
4	8	Lock Washer, 1/2", Galvanized	584255
5	2	Bolt, 5/8" x 6", Machine, Galvanized	780836
6	1	Insulator Support Plate (shop made, this spec)	563228
7	1	Backing Plate (shop made, this spec)	
8	2	Lock Washer, 5/8"	584260

Stock Unit: EA

Assembly Stock No.: 563227 (includes all of the items in the Material List)

Standards Coordinator
Kathy Tilley

Standards Supervisor
John Shipek

Unit Director
Darnell Cola