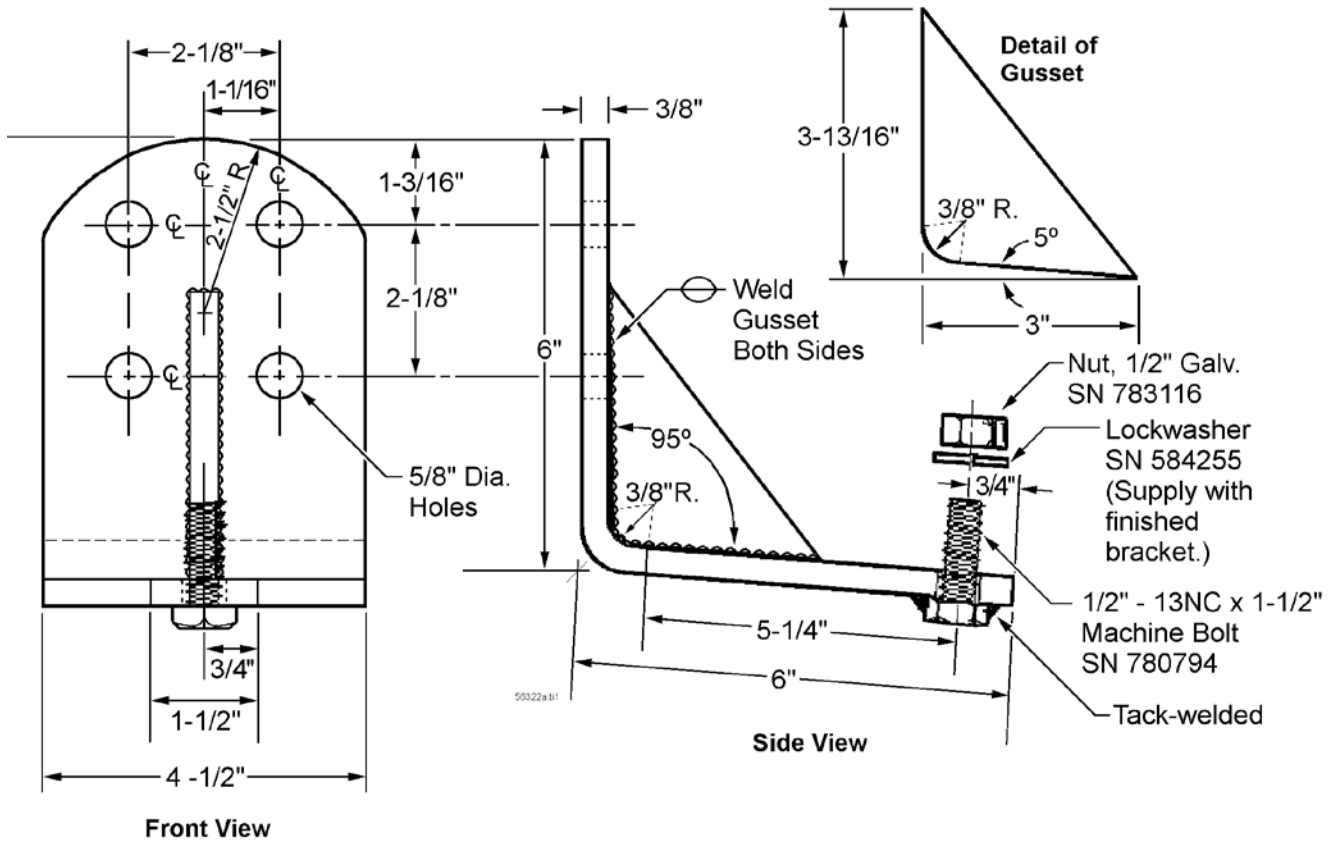


MATERIAL STANDARD

BRACKET - CUTOUT MOUNTING

Cutout Brackets for mounting fused cutouts directly to an insulator shall be of the configuration shown, and shall be fabricated from 3/8" x 4 1/2" hot rolled carbon steel strip, commercial quality meeting the requirements of ASTM Specification A569.

The brackets shall be truly formed and free from sharp edges, burrs, cracks or other deformations.

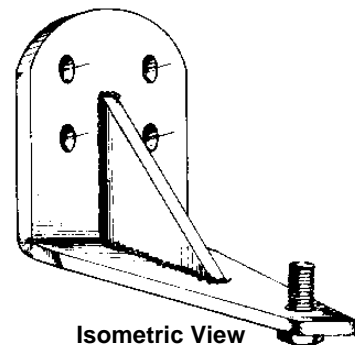


After fabrication, the brackets shall be galvanized in accordance with ASTM Specification A123.

Stock Unit: EA

Stock Number: 563224

Reference Specifications: ASTM A569, A123, latest revision



| ORIGINATOR | STANDARDS COORDINATOR | STANDARDS SUPERVISOR | UNIT DIRECTOR |
|--------------------|---------------------------|-----------------------|--------------------|
| <i>Jim S. Horn</i> | <i>Charles L. Shaffer</i> | <i>John C. Pinner</i> | <i>Harold Gray</i> |